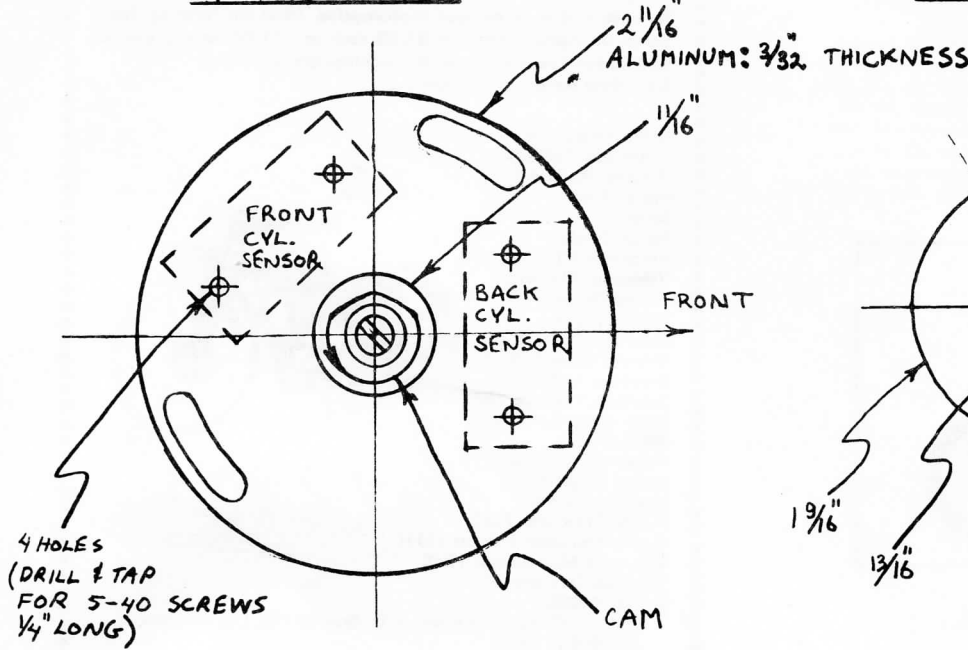
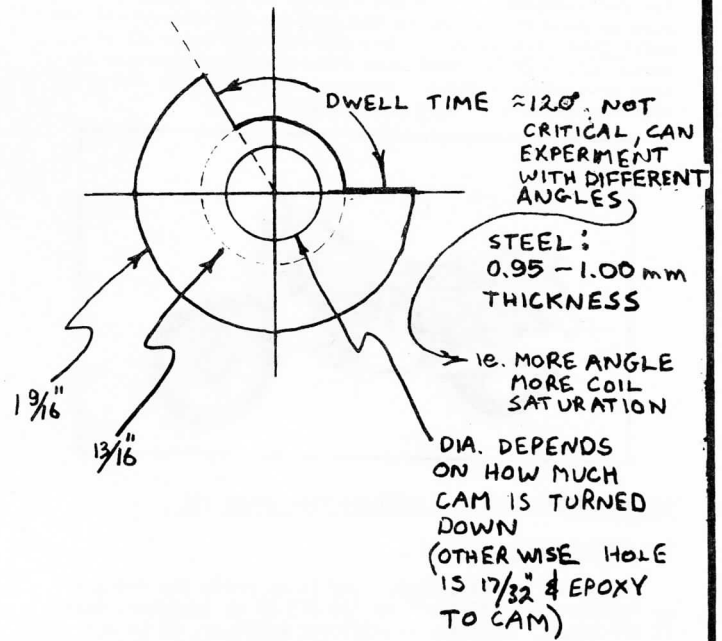


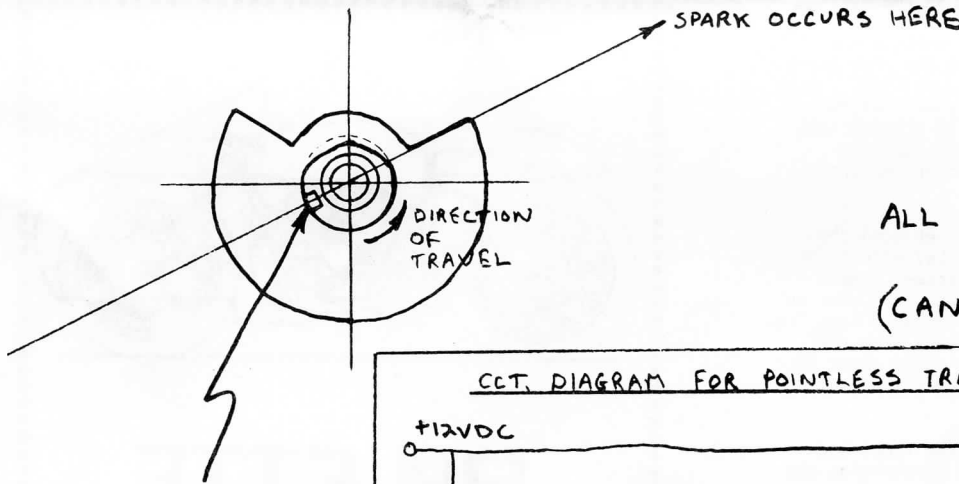
TIMING PLATE



ROTOR VANE



POSITION OF ROTOR VANE RELATIVE TO CAM



ALL DIAGRAMS - ACTUAL SIZE

(CAN BE USED AS TEMPLATE)

SUGGEST KEYWAY HERE OR CAN EPOXY DIRECTLY TO CAM

PARTS COST

- 2 x 1A V2B SENSORS 2 x \$15
 - 2 x MJ10012 2 x \$5
 - 1 x HEAT SINK 1 x \$5
 - MISC. COMPONENTS (RESISTORS, CAPACITORS, DIODES & WIRE) \$15
- TOTAL \$60.00

CCT. DIAGRAM FOR POINTLESS TRANSISTORIZED INDUCTIVE IGNITION

